



Firewood processors for firewood production



REAL POWER. REAL PERFORMANCE.

For more than 75 years, we have been developing equipment that makes hard work easier. With patented and unique solutions you find nowhere else. Assure yourself of that: You recognise POSCH machines by more power, speed and convenience as compared to other equipment.



The best machines for maximum performance

POSCH is clearly the innovation leader as far as large machinery for firewood processing is concerned. No other product on the market combines maximum know-how, high-quality components and a sturdy design to achieve durability so masterfully.



State-of-the-art production for powerful machines

In order to exhaust all technical possibilities for their products, POSCH uses only state-of-the-art processes for premium-quality manufacturing.

High-quality components for long operating hours

Every machine is as powerful as its individual components. For that reason, we pay particular attention to performance and durability when selecting the components.



Customer proximity creates excellent solutions

As we are in touch with large numbers of users, we are aware of the precise requirements for profitable firewood production. We always try to keep improving machines that have proven successful in everyday work.

Our promise: 20 years spare parts supply guaranteed



qualityaustria
SYSTEMZERTIFIZIERT
ISO 9001:2008 NR. 03621/02
BS OHSAS 18001:2007 NR. 01906/02

Made in
Austria

Efficient cutting & splitting

Firewood processing for professionals

There is no way around Southern Styria as far as investments in a powerful and durable solution for premium firewood are concerned. In Leibnitz, there is one of the most advanced production sites for machinery for firewood processing. The firewood processors made by POSCH fulfil the most exacting requirements world-wide.

More quality through manufacturing competence

POSCH builds each individual machine based on a combination of technical competence and state-of-the-art production processes. Laser cutting systems, CNC cutting and welding robots ensure maximum precision. Our experienced welders, qualified according to DIN, ensure the highest quality of the welded structures every day.



Cutting-edge technology ensures a long service life as standard

Our machines are designed for maximum power, durability and minimum maintenance right from the start. Only the most innovative processes are employed in production. The combination of our excellent solutions always ensures an optimum product quality.



Leibnitz: the birthplace of durability

To ensure the highest production quality, we keep investing in the best processes for manufacturing and in quality control.

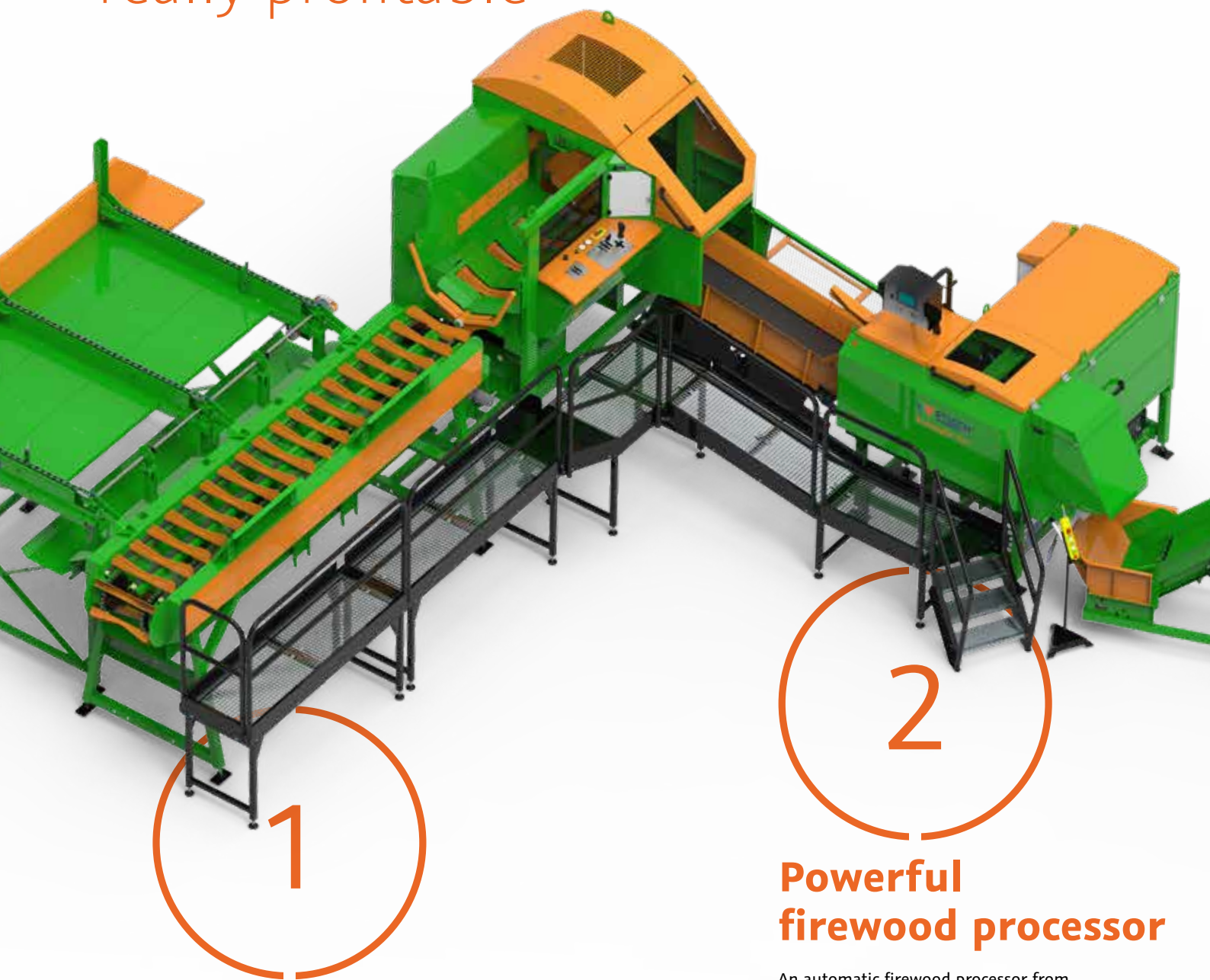
Sturdy design and accuracy guarantee a stable value

When everybody does their job really well, good ideas result in top products with a particularly long useful life. The declared goal is to guarantee a long useful life for our products.



The POSCH production chain

How to make firewood processing really profitable



1

Continuous charging

Longitudinal and cross conveyors can be combined in the best possible way according to tasks and requirements. After the smooth transfer of the logs by means of a tractor, forklift truck or timber loading crane, logs with a diameter of up to 70 cm are smoothly passed on to the firewood processor.

→ see from page 45 onwards

2

Powerful firewood processor

An automatic firewood processor from POSCH turns whole logs into neat billets and makes firewood processing really profitable. We realise sturdy solutions with a stable value, ranging from mobile all-purpose units to firewood factories with an extraordinary hourly output.

→ see from page 9 onwards

For everything ranging from the continuous supply of very large logs to efficient firewood processing and neat further processing and packaging, we offer you optimum solutions from a single source.



Efficient billet handling

Transporting, cleaning, packing up and loading have never been so easy. In addition, these additional machines improve the quality of firewood. The great hourly throughput and the great input power make sure that even large facilities never stand idle any more, and you profit from improved billet quality and increased profitability hour after hour.

→ see from page 49 onwards



True power for sawing and splitting

Increases output in firewood processing

A POSCH firewood processor turns whole logs into neat billets and makes firewood processing really profitable for you. We realise sturdy solutions with a stable value, ranging from mobile all-purpose units to firewood factories with an extraordinary hourly output.



max. 37 cm
log diameter

from page 12 onwards



max. 55 cm
log diameter

from page 24 onwards

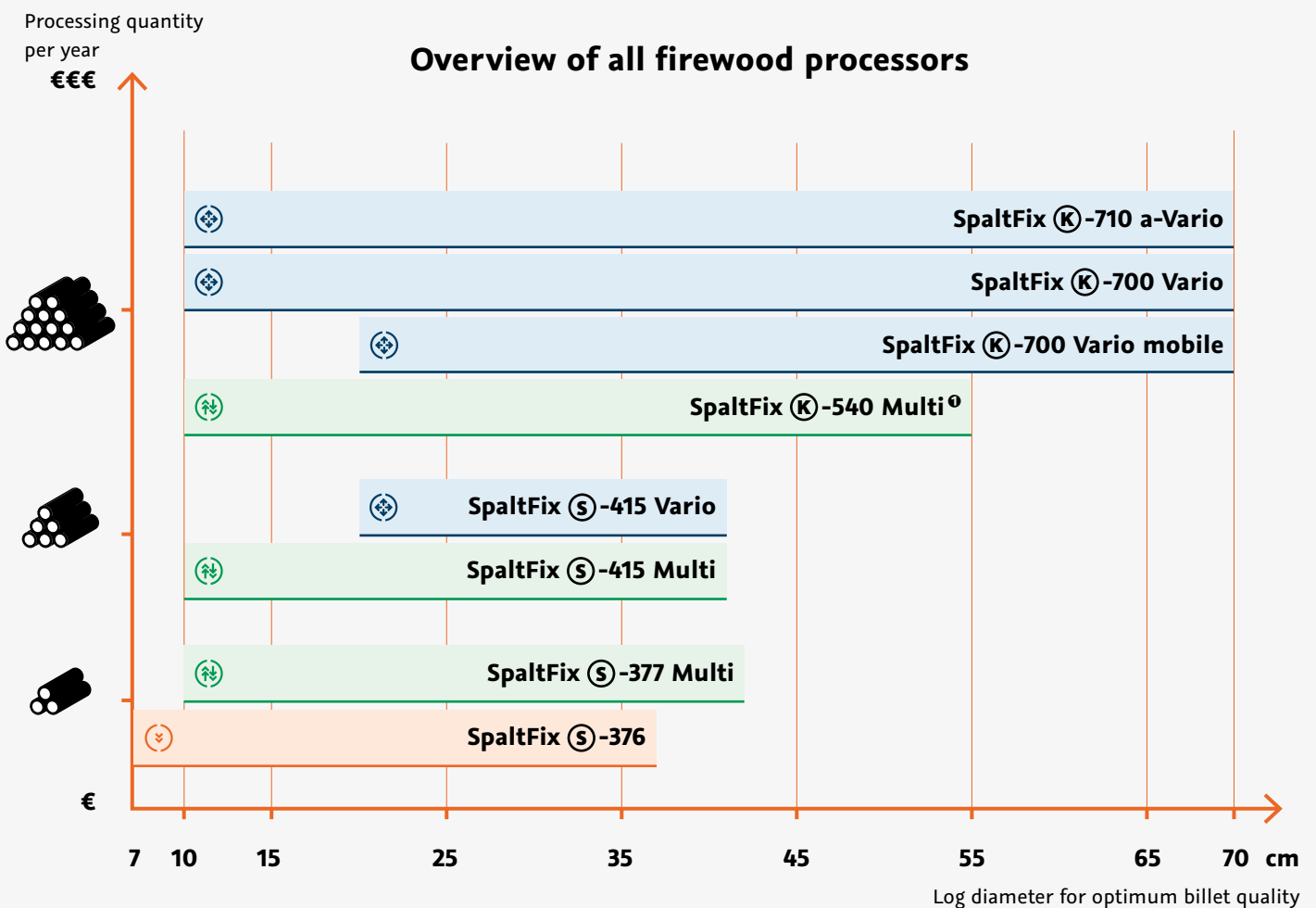


max. 70 cm
log diameter

from page 28 onwards

SpaltFix series from POSCH

The perfect sawing/splitting system for all requirements



① **Mobile option:** For best results in different locations, these machines can be equipped with a suitable chassis.

② **WIDIA saw blade with the S-series**

③ **SuperCut-Chain saw with the K-series**



STANDARD splitting system



The tried-and-tested system.

The push-on splitting knife can be changed without tools and delivers quick results with max. 8 billets per cycle.



MULTI splitting system



More options without knife change.

The hydraulically adjustable frame knife adapts to the log diameter and produces up to 18 billets per cycle without knife change.



VARIO splitting system



Variability for standardised results.

The system with the X-shaped splitting knife produces high-quality firewood in single varieties with the set edge lengths from 5 to 15 cm.



Ⓢ Saw blade with the S-series

The powerful **WIDIA saw blade** impresses with a great cutting power and a long useful life.



Ⓚ Chain saw with the K-series

The **SuperCut harvester saw** ensures quick and safe cutting with log diameters up to 70 cm. Integrated hydraulic chain and blade tensioning as well as a chain oil tank ensure low-maintenance operation.


STANDARD splitting system

SpaltFix S-376 **NEW**

Fast

**25 loose m³/h**

Loose cubic metres per hour

Powerful

**12 t**

Splitting power max.

Efficient

**37 cm**

Log diameter max.

SpaltFix S-376

More innovative.
More durable.
A classic
with new
features.

1 Premium components

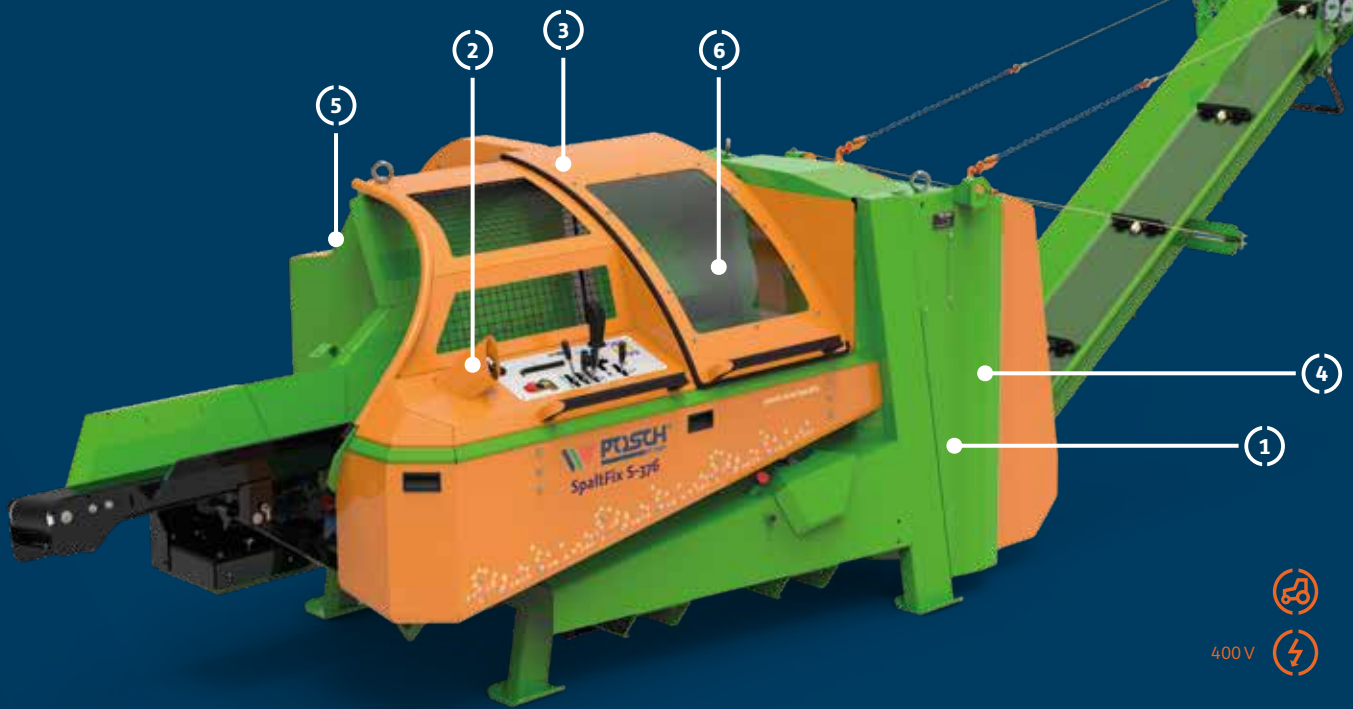


The firewood processor is 100% powder-coated. Its cast pump (formerly aluminium) and the stronger gearbox promise and even longer service life. The valves are electrically controlled, which eliminates the need to replace mechanical wear parts.

2 Everything in view thanks to the display



The display indicates pressure, temperature and hour counter as well as wood volume for ease of maintenance and to make and call up settings. Additionally, you can charge your mobile phone at its USB connection.



SpaltFix S-376

3 Powerful WIDIA-saw blade



For an increased cutting performance and a longer useful life, a reinforced WIDIA saw blade with a diameter of 90 cm is installed. This guarantees a more quiet and more powerful cutting process.

5 Simplified maintenance through better access



The service area can be accessed without using tools: Saw blades and v-belts can thus be changed quickly and easily.

4 Work smarter thanks to innovative splitting channel



A gradually ascending splitting channel guarantees safe transfer following the cutting process. Splitting stroke optimisation for short logs saves time as the cylinder no longer has to fully extend. This allows you to produce 25% more at billet lengths of up to 33 cm.

6 Increased productivity



You set the desired billet length yourself (20 – 50 cm) with a single motion and entirely tool-less. Access to the splitting unit is also quick and easy.



Joystick
operation

LOG ø
max. 37 cm

The new SpaltFix S-376

The popular classic comes with new features

The classic saw splitter is used by communities and firewood producers all over the world. The new successor model scores across the board.

Smart display

You can read all data such as pressure, temperature, hour counter and wood volume using the new, round display, also called a touch encoder. Clear, practical, everything at a glance.

The integrated holder for your mobile phone is also practical, so you can always keep it in sight or within easy reach while you work. A USB port provides the necessary power to charge your cell phone.



Everything in view thanks to the touch encoder (left) and the cell phone holder (right).

SpaltFix S-376

The powerful firewood processor with joystick control.



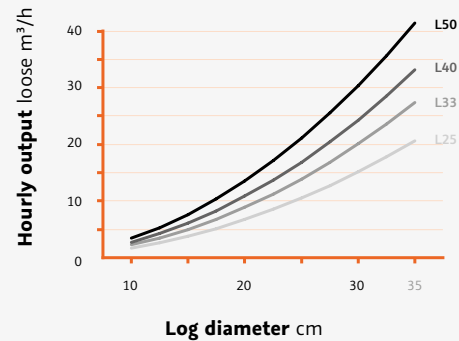
- **Log diameter** 7 – 37 cm
- **Billet length** 20/25/30/33/35/40/45/50 cm (adjustable without tools)
- **WIDIA saw blade** \varnothing 90 cm
- **Frame wedge** 4-way as standard, hydraulically adjustable, (6-way or 8-way optional)
- **Max. number of billets per cycle** 8
- **Splitting force** 12t
- **Hydraulic log feed** with 2-m-long feed belt
- **Hydraulic saw advance** with automatic stop lifting and downholding function
- **Advance/return speed max.** 47/42 cm/s with Autospeed
- **Touch-Encoder:** Displays pressure, temperature, hour counter, wood volume and more
- **Chip extraction connection** \varnothing 15 cm
- **OPTIONAL** OnlyCut function, and more

SpaltFix S-376

Basis: 430 cycles/h

Cutting lengths cm

L25, L33, L40, L50



Splitting wedge adjustment



Roller conveyor

Practical special equipment

Automatic splitting wedge adjustment

Our downholder measures the log diameter which makes the splitting wedge automatically adjust to the correct height so that the wood is split perfectly along the centre. Additionally it estimates the wood volume.

Roller conveyor for crooked logs

For crooked logs, the feed height can be adjusted hydraulically. Thanks to particularly grippy rollers, the logs are gripped and pulled in with ease.

Swivelling conveyor belt

To facilitate loading of trailers and/or BigBags, the conveyor belt can be rotated by 12 degrees to the left and right. Additionally, the belt is equipped with an automatic alignment unit.



MULTI splitting system

SpaltFix S-377 Multi | S-415 Multi

Fast

12
Billets/work cycle max.

Powerful

18 t
Splitting power max.

Efficient

41 cm
Log diameter max.

The centre of attention: SpaltFix S-415 Multi

More billets
without
changing the
wedge

1 Everything under control with 2-hand joystick controls



As soon as a log has reached the feeding belt, the cutting/ splitting process can be controlled safely and easily by means of the 2-hand joystick.

2 Continuous charging



Using the joystick, the log is hydraulically transported to the WIDIA saw blade via a conveyor belt. Log support systems comprising longitudinal and cross conveyors can be combined individually depending on the requirements.



SpaltFix S-415 Multi

3 Sawing unit with WIDIA high-performance saw blade



The WIDIA carbide saw blade with 100 cm Ø shortens the log to 20 to 50 cm and is particularly long lasting. The hydraulic log downholder safely retains the logs during the cutting process.

5 More possibilities thanks to the MULTI splitting wedge



The hydraulically adjustable MULTI frame splitting wedge can be adapted to the log diameter comfortably and produces 2, 6 or 12 billets per work step without having to change the wedge.

4 Smooth transfer of logs to the splitting process



The entire log section is transported to the splitting punch via the hydraulically operated wood rocker. The punch pushes the log against the splitting wedge.

6 Fast and efficient for higher profits



Optionally, billets can be cleaned and bagged ready for sale in one work step in addition. Optimise your firewood production with suitable conveyor belts, billet cleaning and bagging solutions from POSCH.



Watch the SpaltFix K-415
in action at:
[www.posch.com/en/video/
SpaltFix-S-415-Multi](http://www.posch.com/en/video/SpaltFix-S-415-Multi)

SpaltFix S-377 Multi and S-415 Multi

Jack of all trades: Many billets without changing the wedge

Logs with a maximum diameter of up to 41 cm are converted into up to 12 logs per work cycle. Thanks to the MULTI splitting system.

Operation via 2-hand joystick

The WIDIA saw blade shortens the log to the desired length up to max. 50 cm. With a splitting force of 15 or 18 tons, the log section is pressed against the adjustable-frame knife.



SpaltFix S-377 Multi



The compact firewood processor with WIDIA saw blade.

400V

- **Log diameter** 10 – 37 cm
- **Billet length** 20 – 50 cm (adjustable in 1 cm increments)
- **Number of billets** max. per cycle 12
- **Hydraulic log feeding** with 1.1-m feeding belt
- **Cutting system WIDIA saw blade** with a diameter of 90 cm
- **Hydraulic saw feed system** with automated stop ventilation and double gripper
- **MULTI splitting system**, no wedge changing required
- **Splitting force** 15 tons
- **Stamp advance/return speed** 33/36 cm/s with Autospeed
- **Chip extraction connector** with a diameter of 15 cm
- **Oil cooler**
- **TURBO package** for increased hourly output
- Manipulator, SawControl, automatic central lubrication **optional**

SpaltFix S-415 Multi



The compact firewood processor with WIDIA saw blade and frame knife.

400V

- **Log diameter** 10 – 41 cm
- **Billet length** 20 – 50 cm (adjustable in 1 cm increments)
- **Number of billets** max. per cycle 12
- **Hydraulic log feed system** with 1.1-m feeding belt
- **Sawing system WIDIA saw blade** \varnothing 100 cm
- **Hydraulic saw feed system** with double gripper and automatically stop ventilation
- **MULTI splitting system**, no knife changing required
- **Splitting force** 18 t
- **Stamp advance/return speed** max. 37/36 cm/s with Autospeed
- **Chip extraction connection** \varnothing 15 cm
- **Automated central lubrication** for the splitting unit
- **TURBO package** for increased hourly output

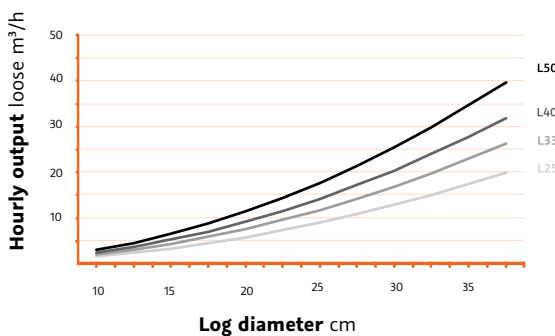
Get more work done with more cubic metres per hour.

SpaltFix S-377

Basis: 360 cycles/h

Cutting lengths cm

L25, L33, L40, L50

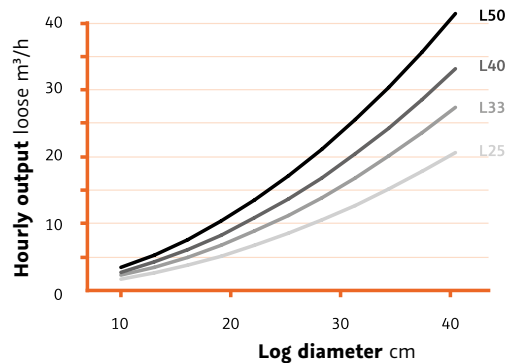


SpaltFix S-415 Multi

Basis: 360 cycles/h

Cutting lengths cm

L25, L33, L40, L50



Universal expansion options

The **turbo function** achieves a **25 % higher splitting capacity**, enabling hourly outputs of up to 45 loose cubic metre. Optimize your firewood production with suitable chain conveyors for log feeding.



VARIO splitting system

SpaltFix S-415 Vario



Fast

25
Billets/log section max.

Powerful

12 t
Splitting power max.

Efficient

41 cm
Log diameter max.

SpaltFix S-415 Vario

Produces billets of the required size from logs up to 41 cm.

1 Simple controlling of all processes with tried-and-tested joystick solution

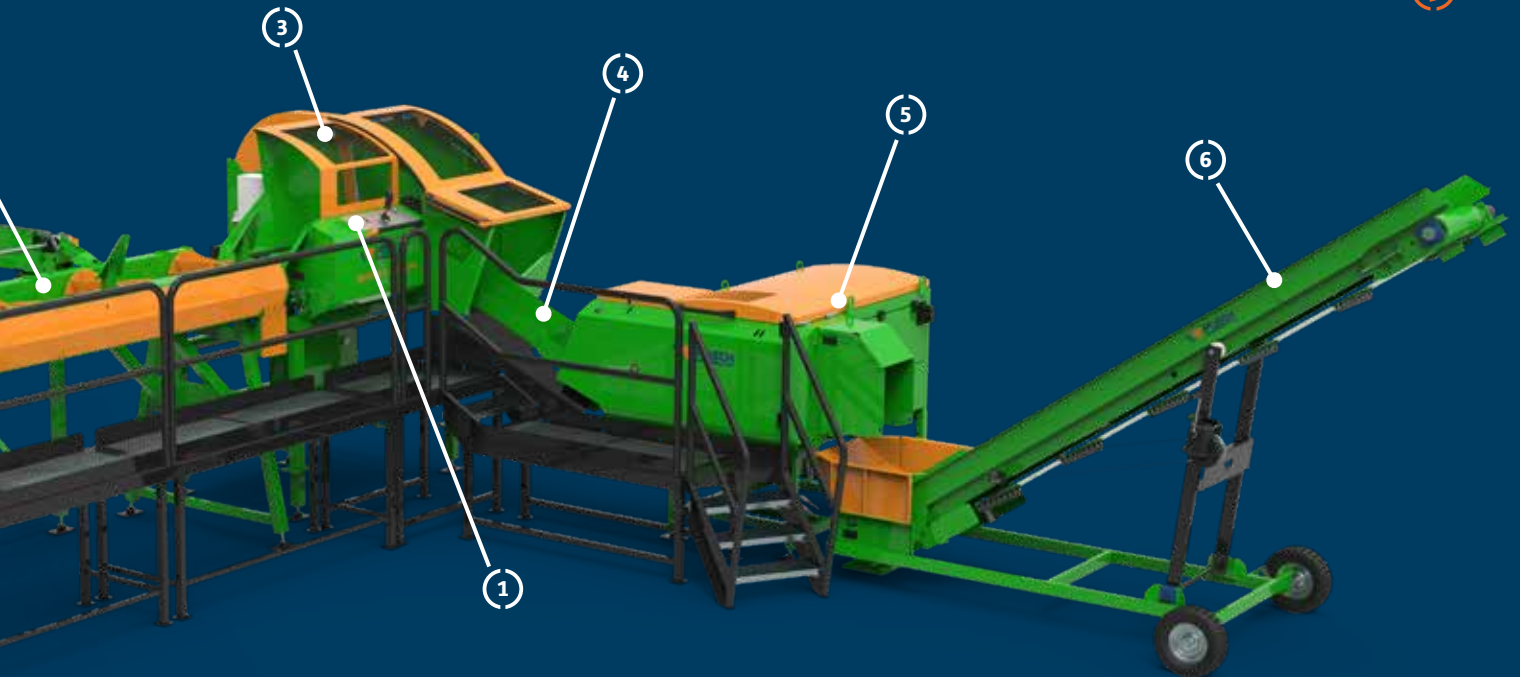


The operator has all processes from charging to cutting directly under control. The optional manipulator makes the positioning of twisted logs easier.

2 Professional log feeder



The logs are transported to the sawing unit via the powerful feed belt. Log support systems comprising longitudinal and cross conveyors can be combined individually depending on the requirements.



SpaltFix S-415 Vario

3 PowerCut sawing unit with WIDIA high performance saw blade



The WIDIA hard metal saw blade with a diameter of 100 cm impresses with its very long service life and durability. The hydraulic log downholder safely fixes the logs during the cutting process.

5 The AutoSplit 415 produces firewood and neat kindling



For firewood with a length of 12–33 cm, the billet edge length can be adjusted variably from 4–15 cm. For optimum kindling with a length of up to 20 cm, finer billets are possible too. Available on request: AutoSplit 650 for firewood up to 50 cm.

4 Smooth passing on of logs to the splitting process



The cut log section is passed on to the AutoSplit via the hydraulic ejection rocker and the log chute. The optional buffer belt is an ideal additional solution for the fast transportation from the sawing unit to the splitting unit.

6 More profitable production achieved fast and efficiently



Optionally, the billets that were cut to the required edge length can additionally be cleaned and bagged ready for sale in one working step. Optimise your firewood production with suitable conveyor belts, billet cleaning and bagging solutions from POSCH.



Watch the SpaltFix S-415 Vario in action at:
www.posch.com/en/video/SpaltFix-S-415

The SpaltFix S-415 Vario

Long operating hours thanks to WIDIA saw blade

This versatile firewood processor produces firewood requested in single varieties, and kindling ready for the stove with little effort.

High-performance saw blade with many benefits

The PowerCut with WIDIA saw blade impresses with its very high cutting speed, a long edge holding ability and little wear. In addition, neat wood chips for further use are produced.



SpaltFix S-415 Vario with AutoSplit 415



400 V

The combination of PowerCut and AutoSplit.

Saw unit „PowerCut S-415“

- **Log diameter** 10-41 cm
- **Billet length** 12-50 cm (adjustable in 1 cm increments)
- **Hydraulic log feed system** with 1.1-m feeding belt
- **Sawing system WIDIA saw blade** \varnothing 100 cm
- **Hydraulic saw feed system** with double gripper and automatically stop ventilation
- **Chip extraction connection** \varnothing 15 cm
- **OnlyCut function**
- **SawControl** as standard

Splitting unit „AutoSplit 415“

- **VARIO splitting system**
- **Billet length** 12-33 cm
- **Variable billet edge length** 4-15 cm
- **Number of billets** max. per log section 25
- **Splitting force** 12 t
- **Spring-loaded feed belt** – increases operational safety and reduces splitting forces
- **Oil cooler**
- **Single conveyor connection** to conveyor belt (16 l/min, max. 100 bar)
- **Conversion kit for short kindling** as standard
- **Buffer belt** 2 m (optional)
- Automated **central lubrication**

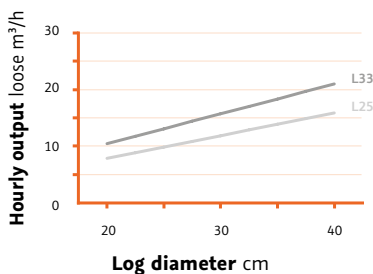
SpaltFix S-415 Vario with AutoSplit 650

- + **Billet length max.** 50 cm

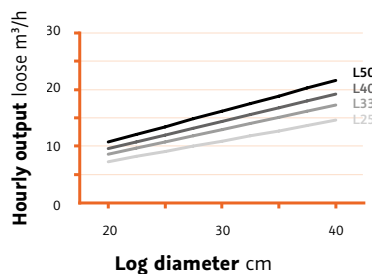
- + **Number of billets max.** per log section 50
- + **Splitting power** 16 t

Great performance and neat billets

SpaltFix S-415 Vario with AutoSplit 415 Cutting lengths cm
Billet edge length 10 cm (D14) L25, L33



SpaltFix S-415 Vario with AutoSplit 650 Cutting lengths cm
Billet edge length 10 cm (D14) L25, L33, L40, L50



Delivers the desired result for every application

On the AutoSplit, the edge length of the billets can be steplessly adjusted from 4 to 15 cm. In addition, mere round timber sections (Only-Cut function) and, with the included retrofitting kit, very neat kindling can also be produced for different groups of customers.





SpaltFix K-540 Multi

Fast



18

Billets/work cycle max.

Powerful



35 t

Splitting force max.

Efficient



55 cm

Log diameter max.



The centre of attention: SpaltFix K-540 Multi

The MULTI splitting system for a great performance

1 User-friendly joystick operation

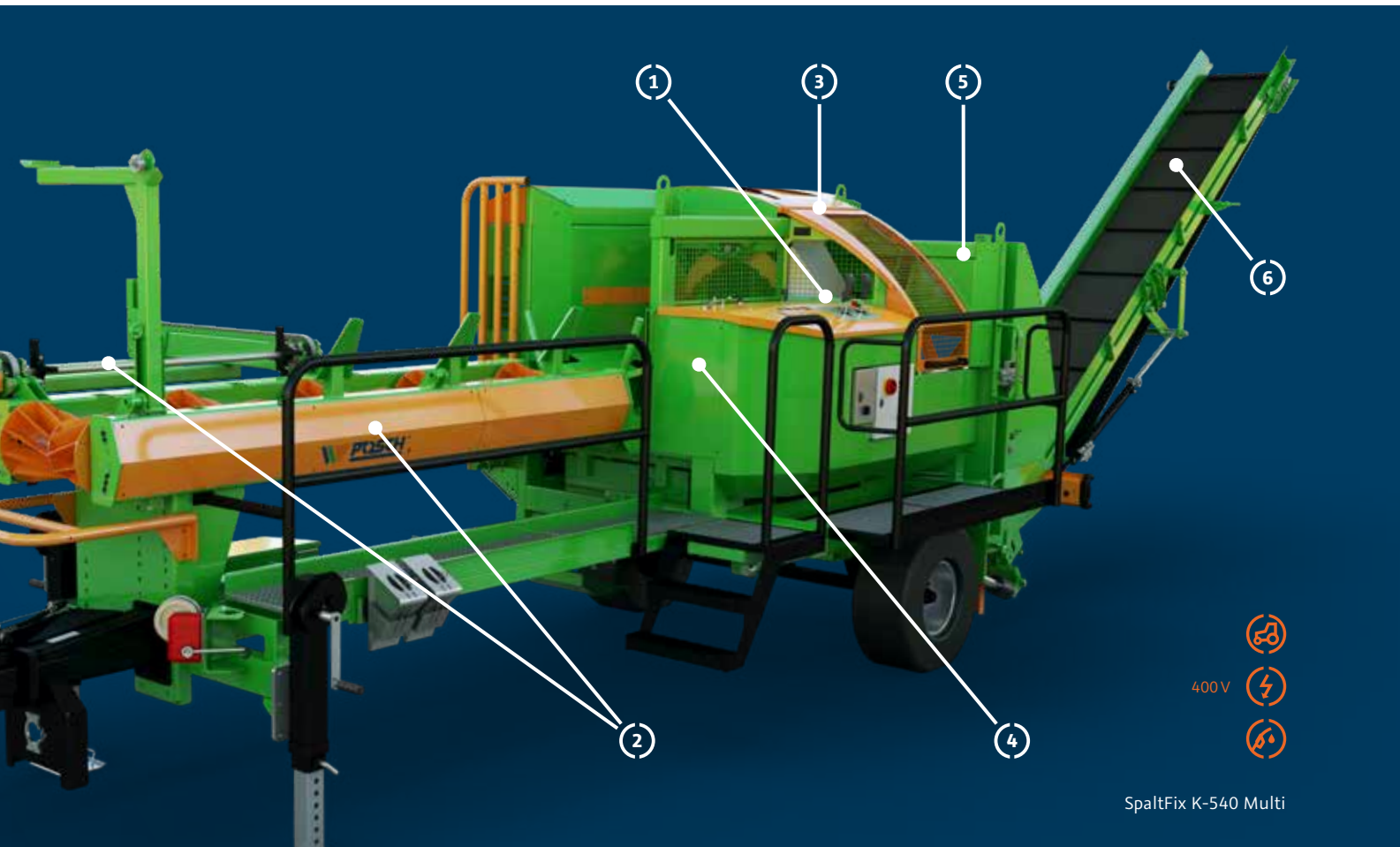


With the 2-hand joystick on the clearly structured control panel, it is easy to control all processes. The log manipulator is used to put the logs in the right position before processing.

2 Continuous charging for more power



The double chain conveyor with timber manipulator ensures a constant processing speed. Combined with a log support system, you can produce more cubic metres per hour.



3 SuperCut Harvester saw for fast and safe cutting



Thanks to the hydraulic chain and blade tensioning and the hydraulic double gripper, the SuperCut saw ensures safe and fast cutting. The hydraulic ejection rocker passes the log section on to the splitting unit.

5 Same-size billets without knife change



The hydraulically adjustable MULTI splitting knife produces an optimum result with every log diameter. In that way, the machine produces up to 18 same-sized billets per work cycle.

4 True power inside SpaltFix



The pressure piece presses the timber with 35 t against the double-edged splitting knife and so quickly produces the maximum number of billets.

6 Neat further processing without further efforts



The conveyor belts transport the finished billets to the respective packaging solution. The combination of the timber cleaner LogFix and the PackFix system produces firewood of high quality and in neat packages.



Watch the SpaltFix K-540
in action at:
[www.posch.com/
video/SpaltFix-K-540/](http://www.posch.com/video/SpaltFix-K-540/)

SpaltFix K-540 Multi

Perfect for large volumes

Stationary or mobile - the ideal partners for a great performance. The wide variety of drives and additional solutions always make wood processing faster and more efficient.

Tireless firewood production

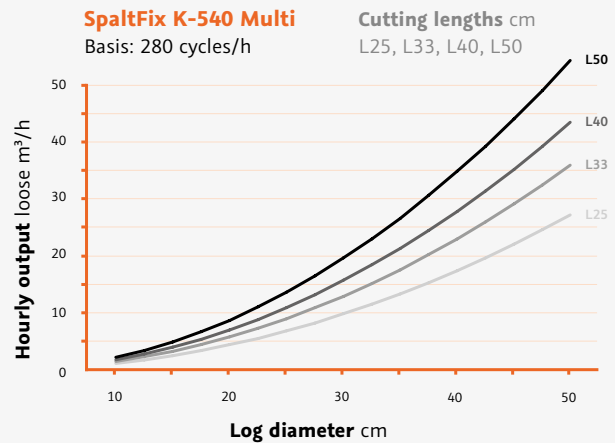
The result is impressive. The K-540 Multi manages up to 18 billets with a length of up to 50 cm. The SuperCut Harvester unit with automatic chain and blade tensioning cuts the logs into pieces with precision. The Autospeed function ensures the optimum forward speed during the splitting process. The hydraulic log rocker ensures continuous log transfer from the sawing area to the splitting area.



SpaltFix K-540 Multi

The next generation of firewood processing equipment.

- **Log diameter** 10 – 55 cm
- **Billet length** 25/30/33/40/45/50 cm
- **Max. number of billets per cycle** 18
- **Hydraulic log feed**
with manipulator and two feed rollers
- **Sawing system SuperCut Harvester 75**
- **Hydraulic log feed** with double gripper and automatic stop ventilation
- **MULTI splitting system**(no wedge changing required)
- **Splitting force** 35 t
- **Punch advance/return speed max.**
28/33 cm/s with Autospeed+
- **Hydraulics** double-cylinder system
- **Oil cooler**
- **Operating hours counter**

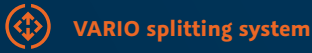


Ready for every application

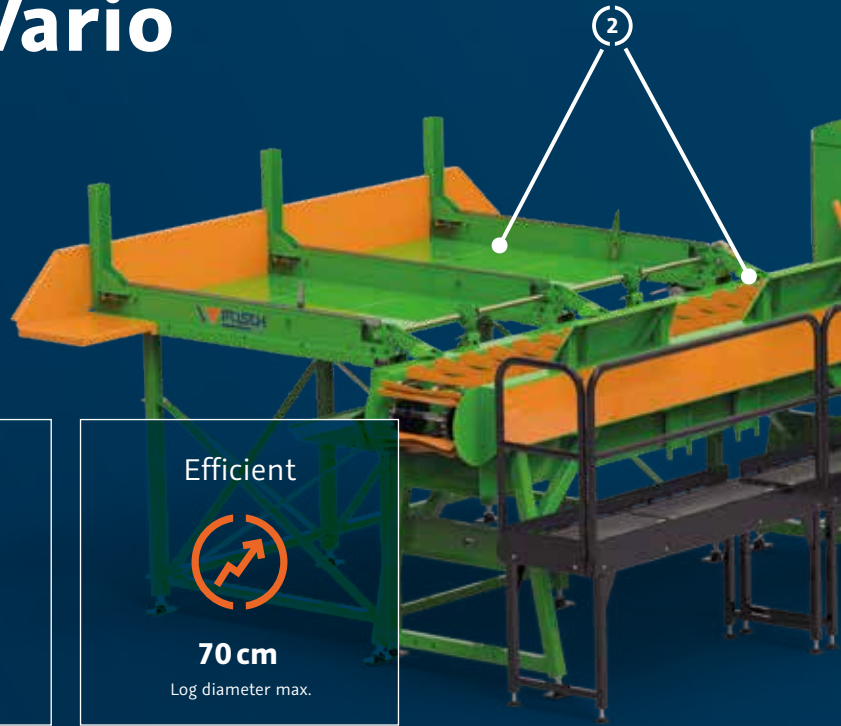
With different **drive options** such as PTO, E-motor or diesel, this firewood processor from POSCH is always powerfully equipped and also suited for mobile applications.

The optional **angled conveyor belts** ensure a compact transport position with this application. The optional timber loading crane ensures easy charging of the log support system.





SpaltFix K-700 Vario



Fast



60

Billets/log section max.

Powerful



19t

Splitting power max.

Efficient



70 cm

Log diameter max.

The centre of attention: SpaltFix K-700 Vario

Uses large logs to produce fine billets with variably adjustable edge length and of premium quality.

1 Everything under control with joystick control



Whole logs with a thickness of up to 70 cm are easily and carefully passed on to the PowerCut sawing unit and cut there according to the length settings. With the clearly structured control panel, it is easy to control all processes.

2 Professional log feed for continuous charging



Depending on log volume and log diameter, longitudinal and cross conveyors can be individually combined with each other. The hydraulic log manipulator additionally ensures an optimum log position.



SpaltFix K-700 Vario

3 SuperCut sawing unit for logs up to 70 cm



The SuperCut Harvester unit with the 90 cm long blade and the hydraulic double gripper make sure that even the thickest logs are cut safely.

5 AutoSplit for fine billets of the desired size



With a splitting power of 19t and the X-shaped splitting knife, the AutoSplit automatically chops up the logs. The steplessly adjustable feed lets you precisely determine the desired billet size with an edge length of 5-15 cm.

4 Buffer belt for safe and trouble-free continuous operation



The hydraulic ejection hatch and the standard buffer belt ensure smooth transportation of logs to the splitting process.

6 Firewood processing 4.0 with IIoT (Industrial Internet of Things)



A 7-inch display lets you control the AutoSplit comfortably. Thanks to an innovative IIoT connection you can upload your system's data to a cloud solution and access it any time. This allows us to perfectly advise you in customer service or perform software updates.



Joystick
operation

LOG \varnothing
max. 70 cm

SpaltFix K-700 Vario stationary

Firewood processing 4.0 with IIoT connection

The successor to our stationary SpaltFix K-650 Vario turns entire logs with a diameter of up to 70 cm into profitable billets. With its new features, it's a full-on success.

More power, optimised highlights

Via a joystick you feed the logs to the cutting unit via four wider and even grippier feed rollers. The machine's log holding function was improved, while the new cutting unit makes changing blades and chains easier. At the same time, it features an even longer blade service life. The splitting unit offers 20 % more power.

To account for ground irregularities, the firewood processor's feet are now adjustable.



SpaltFix K-700 Vario

400 V

The firewood processor for uniform firewood.

“PowerCut K-700“ saw unit

- **Log diameter** 10 – 70 cm
- **Billet length** 20 – 50 cm (continuously variable)
- **Hydraulic log feed** with manipulator and four feed rollers
- **Sawing system** SuperCut Harvester 100
- **Hydraulic saw feed system** with double gripper and automatically stop ventilation
- **Chip extraction connection** Ø 20 cm
- **OnlyCut function**
- **Adjustable feet** to account for ground irregularities, support frame optimised for cleaning
- **Oil cooler** standard on saws and splitters, particularly useful in hot ambient temperatures
- **OPTIONAL TURBO** package for 25 % higher performance, PRO package with 3/4” saw for less saw wear, operating/standing aid

“AutoSplit 700“ splitting unit

- **VARIO splitting system** with cable remote control
- **Billet length** 20 – 50 cm (continuously variable)
- **Variable billet edge length** 5 – 15 cm
- **Hourly output** ~ 27 loose m³
- **Splitting force** 19 t
- **Spring-loaded feed belt** – increases operational safety and reduces splitting forces
- **Oil cooler**
- **Triple conveyor belt connection** for transporting, rotating and tilting (16 l/min, max. 100 bar)
- **OptiSplit** automated splitting stroke adjustment for faster processing
- **IIoT connection** – Firewood processing 4.0 via 7” touch screen
- **Buffer belt** 2 m
- **Optical sensor** on the buffer belt
- **VolumeControl** wood volume calculation
- Automated central lubrication
- **OPTIONAL TURBO** package for 25 % higher performance



High temperatures, cool hydraulics

With oil coolers in both the cutting and the splitting unit, you can continue working around the clock even in high temperatures. The hydraulic system is optimally supplied with fluid and you benefit from long service life.

Firewood processing 4.0 with IIoT (Industrial Internet of Things)

A 7-inch display lets you control the AutoSplit comfortably. Thanks to an innovative IIoT connection you can upload your system’s data to a cloud solution and access it any time. This allows us to perfectly advise you in customer service or perform software updates.



VARIO splitting system

SpaltFix K-700 Vario mobile **NEW**



Fast

60
Billets/log section max.

Powerful

19t
Splitting power max.

Efficient

70 cm
Log diameter max.

SpaltFix K-700 Vario mobile

A firewood processor and its success story

1 Everything under control from the cab



The new cab is easy to rotate, giving you a better view of the cutting unit. Includes Bluetooth stereo, mobile phone holder and hands-free system.

Upon request with rooftop air conditioning heater.

2 Improved work thanks to optimised components



Both the oil cooler and the chain oil tank are now larger.

Additionally, the chip extraction system was optimised in terms of noise and performance.



SpaltFix K-700 Vario mobile

3 SuperCut cutting unit for logs up to \varnothing 70 cm



New: SuperCut harvester unit with longer sawbar life cycle and easier chain and bar swap, improved log holding function and optimised log feed.

5 AutoSplit for fine billets of the desired size



With a splitting power of 19 t and the X-shaped splitting knife, the AutoSplit automatically chops up the logs. The steplessly adjustable feed lets you precisely determine the desired billet size with an edge length of 5 - 15 cm.

4 Buffer belt for failure-free continuous operation, even with short logs.



The buffer belt's stop is 2-way adjustable, allowing for operationally safe wood transfer.

OptiSplit ensures automated splitting stroke optimisation, making your work more efficient.

6 Firewood processing 4.0 with IIoT (Industrial Internet of Things)



A 7-inch display lets you control the AutoSplit comfortably. Thanks to an innovative IIoT connection you can upload your system's data to a cloud solution and access it any time. This allows us to perfectly advise you in customer service or perform software updates.



Joystick operation

LOG ø
max. 70 cm

NEW: SpaltFix K-700 Vario mobile

The mobile firewood revolution

The firewood processor with attached tractor or road chassis can be used anywhere! The moveable solution for professionals; particularly suited for machine rentals and commissions.



Swivelling cabin, swivelling conveyor belt

Thanks to our rotating function you have an unobstructed view of the cutting process and work in a protected environment. Music in your ears is provided by our standard Bluetooth stereo incl. USB port and mobile phone holder.

In order to load BigBags or trailers more efficiently, the conveyor belt can be rotated and the belt is equipped with metal studs.

SpaltFix K-700 Vario mobile

The firewood processor for uniform firewood.

400V



„PowerCut K-700“ cutting unit

- **Log diameter** 10 – 70 cm
- **Billet length** 20/25/30/33/35/40/45/50 cm
- **Hydraulic log feed** with manipulator and 2 wide feed rollers
- **SuperCut Harvester** 100 cm cutting system
- **Hydraulic log feed** with double gripper and automatic stop ventilation
- **High-performance chip extraction system**
- **OnlyCut function**
- **Residual wood discharge**
- **70-litre chain oil tank**
- **Height adjustable support feet** to compensate for ground irregularities, base frame optimised for cleaning
- **Oil cooler** standard on saws and splitters, particularly useful in hot ambient temperatures
- **OPTIONAL TURBO** package for 25 % higher performance and more

„AutoSplit 700“ splitting unit

- **VARIO splitting system** with radio remote control to start and stop the splitting & conveyor functions by an external person *
- **Billet length** 20 – 50 cm (continuously variable)
- **Variable billet edge length** 5 – 15 cm
- **Max. number of billets per log section** ~ 70
- **Splitting force** 19 t
- **Spring-loaded feed belt** – increases operational safety and reduces splitting forces
- **Oil cooler**
- **OptiSplit** automated splitting stroke optimisation for faster processing
- **Electronic control for increased operational safety**
- **IIoT link** – Firewood processing 4.0 via 7" touch screen
- **Buffer belt** 2 m incl. optical sensor & adjustable stop wall (for short billets)
- **Optical sensor** on the buffer belt
- **VolumeControl** wood volume calculation
- **Automatic central lubrication**
- **Swivelling conveyor belt**
- **OPTIONAL TURBO** package for 25 % higher performance

* The following message appears at the operating station: External stop!
The split and conveyor functions can only be re-activated by the external operator. This excludes all dangers to the external operator.

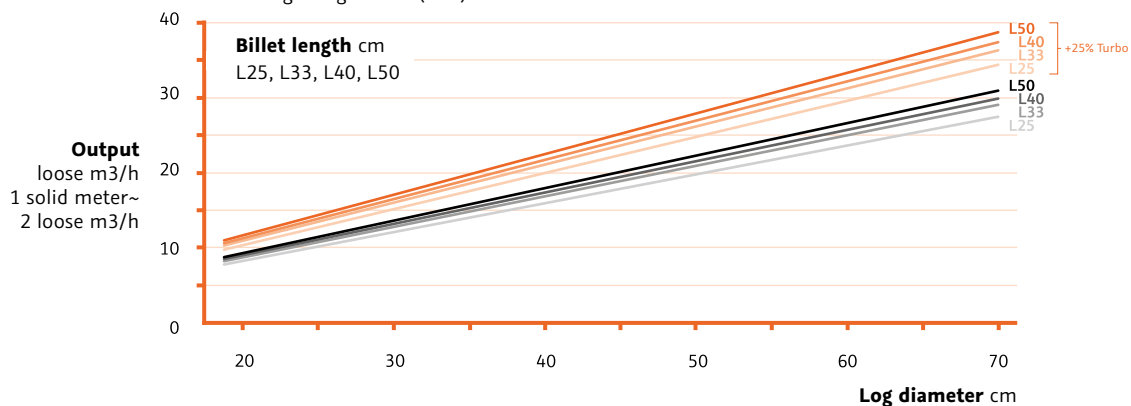
Even less malfunctions and easier work

Two feed rollers with pronounced teeth transport massive logs with a diameter of up to 70 cm to the saw – especially for crooked logs and residual wood.

Vertical ventilation reduces malfunctions during cutting. Thanks to our new sawing device, chain and blade changes are even easier now, increasing the service life of the blade.



SpaltFix K-700 | SpaltFix K-710 a-Vario
Billet edge length 7 cm (D10)



**AUTOFEED 70 FOR
SPALTFIX K-710 A-VARIO**

Automatic firewood production at the push of a button



**Fully
automatically
process up to
17 logs in
1.5 hours***

** at max. processing diameter of 70cm*



VARIO-Spaltsystem

AutoFeed 70



Fast

27 loose m³/h
Loose cubic metres per hour

Powerful

12-17
logs maximum / loading

Efficient

70 cm
Log diameter max.

In focus: AutoFeed 70 for SpaltFix K-710 a-Vario

Automatic firewood production at the push of a button

1 Everything under control with radio remote control

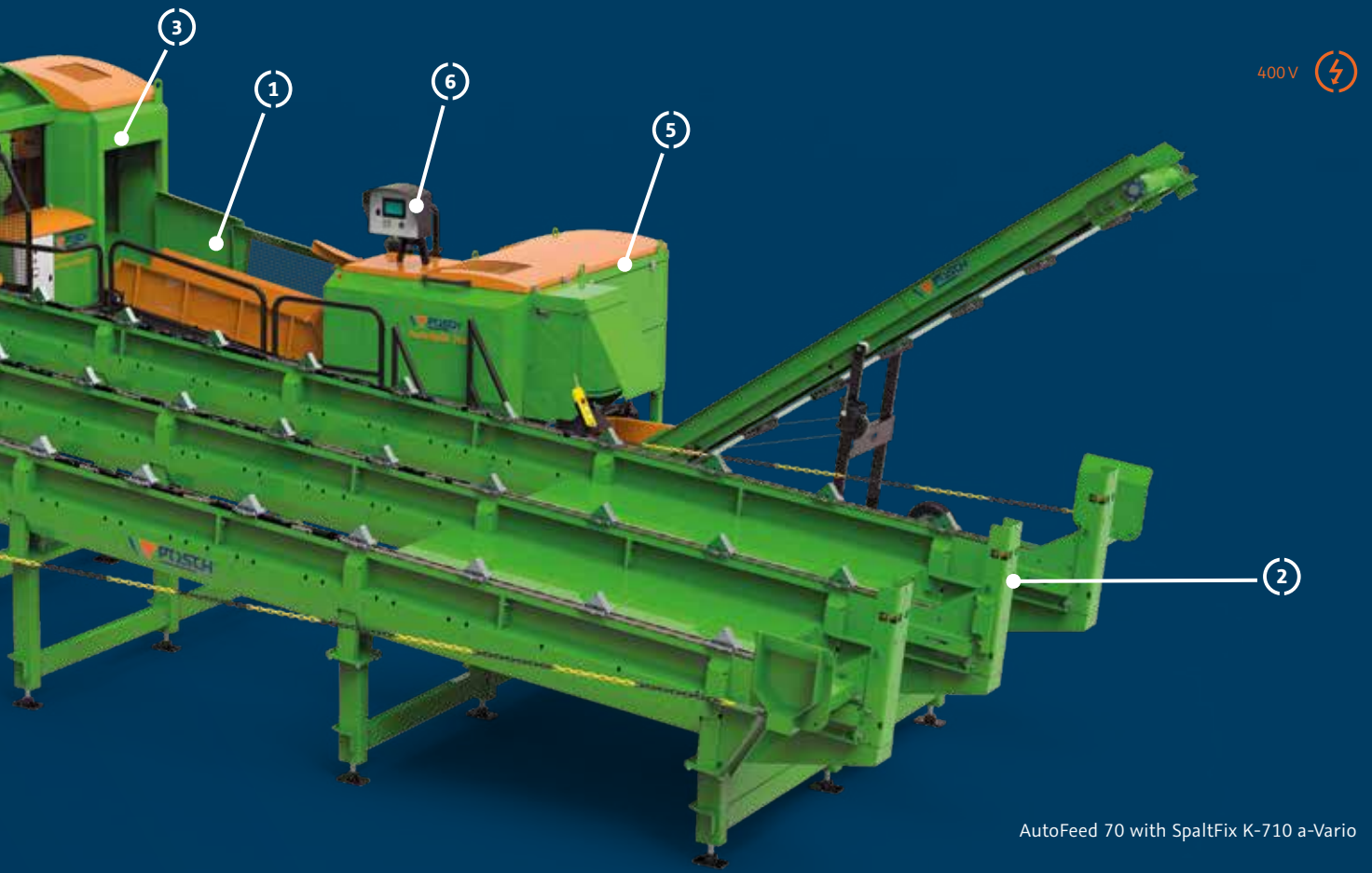


You control all functions comfortably via radio remote control. At the push of a button, you can move the wood from the AutoFeed to the sawing unit or start the sawing and splitting process.

2 Safe feed thanks to sensor monitoring



Feeding is possible at all times, even in automatic mode. The system simply reverses rapidly, stopping in the correct position. Several sensors monitor the automated feed process, log transfer and measurement.



AutoFeed 70 with SpaltFix K-710 a-Vario

3 Adaptable frame



The feed system's frame legs are height-adjustable to compensate for possible ground irregularities.

5 Failure-free operation



Even crooked and large logs can be processed virtually failure-free as they are separated by segments and thus transported to the cutting unit individually.

4 Safe operation thanks to visual and acoustic signals



When logs and thus the feed system are starting to move, their movement is visually and acoustically announced via warning lights and a horn.

6 Fully automated operation



Combined with SpaltFix K-710 a-Vario you can now process up to 17 logs of 70cm Ø in 90 minutes – fully automatically.

AutoFeed can be retrofitted.



Radio
remote
control

LOG Ø
max. 70 cm

AutoFeed 70 for SpaltFix K-710 a-Vario

The new feed system

A feed system that allows you to turn 17 logs into perfect billets at the push of a button? AutoFeed does it, in a matter of 90 minutes.

Simple loading during operation

Even during automatic mode, logs can be loaded at any time via forklift or crane – simply and easily. The system simply reverses rapidly, stopping in the correct position. After loading, the system restarts the process automatically.



A sheet metal housing around the loading area prevents chips and dirt to accumulate underneath. Residual wood can be collected more easily.

AutoFeed 70

400 V

The fully automated feed system for SpaltFix K-710 a-Vario (retrofitable).

AutoFeed log feeding system

- **For fully automated feed** of 12 logs or 17 logs
- **For log diameters of** 10 – 70 cm
- **For log lengths of** 2 – 4 m or 2 – 6 m
- **1 log per segment** for trouble-free operation
- **Adjustable frame feet** to compensate for ground irregularities
- **Drive** via 7.5 kW E-motor with planetary gears
- **2 forward** and return speeds
- **Controls** via radio remote control
- **Feed** via forklift or crane, manual feed possible at all times (even during automatic mode)
- **Maximum safety** thanks to acoustic and optical warnings (every motion is indicated)
- **Sheet metal housing** in the loading area to make cleaning the system easier
- **Retrofittable** on SpaltFix K-710 a-Vario

Scan & lean back!
The AutoFeed in Action!



Sensor monitoring

Several sensors monitor the automated feed process, log transfer and measurement. This guarantees a safe work environment.

Every movement is announced acoustically and visually: Warning lights flash and a horn sounds.

Flexible work

The feed system's legs are adjustable (e.g. to compensate for ground irregularities) AutoFeed can be retrofitted, but can only be combined with SpaltFix K-710 a-Vario.





Radio
remote
control

LOG ø
max. 70 cm

SpaltFix K-710 a-Vario

Cut, split and load – fully automated

It does all the work: this new firewood processor measures logs automatically and afterwards turns them into neat firewood.

Optical measurement at the push of a button

You can control log feed and cutting comfortably by means of a radio remote control. At the push of a button, you move the wood from the cross conveyor to the cutting unit via the separator and start the cutting/splitting process. The machine does the rest on its own.



Use the touch screen of the electronic control to adjust the desired cutting length and the admissible length deviations of the finished billets quite easily.

SpaltFix K-710 a-Vario with AutoSplit 700

400 V

Firewood at the push of a button.

"PowerCut K-710" saw unit

- **Log diameter** 10 – 70 cm
- **Billet length** 20 – 50 cm
- **Sawing system** SuperCut Harvester 100
- **Autom. log feed** via front feed
- **Accurate length determination** thanks to CutControl
- **Residual wood discharge**
- **Chip extraction connection** Ø 20 cm
- **Oil cooler**
- **IIoT connection** – Firewood processing 4.0 via 7" touch screen
- **OnlyCut function**
- **Touch screen** for comfortable use
- **Light curtain** for maximum safety at optimal accessibility
- **Radio remote control** for automated mode and feed
- **TURBO package** optional for 25 % higher performance
- **Fully automatic feeding** possible with AutoFeed 70

„AutoSplit 700“ splitting unit

- **VARIO splitting system** with cable remote control
- **Billet length** 20 – 50 cm (continuously variable)
- **Variable billet edge length** 5 – 15 cm
- **Hourly output** ~ 27 loose m³
- **Splitting force** 19 t
- **Spring-loaded feed belt** – increases operational safety and reduces splitting forces
- **Oil cooler**
- **Triple conveyor belt connection** for transporting, rotating and tilting (16 l/min, max. 100 bar)
- **OptiSplit** automated splitting stroke adjustment for faster processing
- **Electronic control** for increased operational safety
- **IIoT connection** – Firewood processing 4.0 via 7" Touchscreen
- **Buffer belt** 2 m incl. optical sensor and adjustable stop wall (for short billets)
- **Optical sensor** on the buffer belt
- **VolumeControl** wood volume calculation
- **Automated central lubrication**
- **TURBO package** optional for 25 % more power

Length determination with CutControl

The front feed allows for failure-free feed: it pushes the log to the chain saw, where it is optically measured (length determination). The log can be partitioned in such a way that there is no offcut or the system splits the piece of wood in equally sized pieces.

Maintenance and failure-free grates provide occupational and operational safety. The machine runs fault-free even in the rain, snow and fog.



Many extras

If the system is located outdoors, the operating area can be covered with a roof. When working on gloomy days, interior lighting brings light into the darkness.

Any remaining pieces of wood are thrown over a flap on the back of the machine is ejected.





Constantly supplies more logs

Log charging for large volumes

The suitable log support system holds the required volumes of logs and keeps them available for further processing. Depending on the requirements, the cross conveyor keeps the maximum possible number available and passes them on, with or without separator solution, to the longitudinal conveyor which supplies the SpaltFix continuously.



Log support systems



Separator



Longitudinal conveyor systems



Cross conveyor
makes logs available for further processing

Separator
for optimum separation & transfer to the longitudinal conveyor

Chain & roller conveyor
for smooth log feeding



More about professional log charging:
www.posch.com/en/SpaltFix

Solutions for large volumes

Professional log charging for maximum performance

The automatic SpaltFix firewood processors process large volumes of timber into finished firewood. The suitable charging systems facilitate continuous production in addition. POSCH offers you a series of different solutions for the most exacting requirements.

Flexible combinations for all applications

The useful longitudinal and cross conveyors for optimum log charging can be loaded quickly by tractor, forklift truck or timber loading crane. Depending on the requirements and work flows, the different units can be variably combined with each other.

The cross conveyor PLUS ¹ is the ideal professional solution for very large volumes of wood. The separator ² ensures optimum separation and transfer to the longitudinal conveyors. ^{3 4}



Roller conveyor or double chain conveyor as ideal connection for the SpaltFix

On the **roller conveyors**, the logs are supported by solid rollers which are driven hydraulically in each case. The V-shaped structure ensures a smooth log feeding process.

For log diameters over 55 cm, a **double chain conveyor** is used. The sturdy chain with pusher dogs glides maintenance-free on plastic guides. Available for lengths from 4 m to 6 m.

Log support systems for larger volumes

The logs are put down by means of a forklift truck or timber loading crane and made available for further processing. All log support systems can be combined with chain or roller conveyors. When they are passed on to the longitudinal conveyor, the logs are automatically separated from each other by the separator.

The roller conveyor ³ and the double chain conveyor ⁴ ensure continuous charging. The optional cleaning belt ⁵ transports the waste wood underneath the cross conveyor in the right container.



Depending on your requirements, the required supply of logs is always available

POSCH has the right log support system for all requirements:

- The **cross conveyor** passes the wood on via chain strands to the **longitudinal conveyor** and is masterfully in control even when processing twisted logs. It can be used for a maximum log length of 6 m and a timber support up to 6.2 m.
- The **cross conveyor PLUS** is the solution for real pros and very large volumes of wood. Depending on the version, up to 60 solid m³ of wood can be directly deposited and made available for the separator.
- The **separator** ensures an optimum transfer of the individual logs to the longitudinal conveyor.



Wood processing made more profitable:

True efficiency for billet handling

An ideal solution: The LogFix family removes wood chips, bark and wood splinters from every billet and makes sure that the final product is neat. Then powerful conveyor belts transport the billets to the PackFix, the perfect bagging solution.



Cleaning



LogFix

Zyklon

Chip extraction system

The cleaning professionals
see page 42



Packing up



PackFix Hydro

LogPack

The bagging machine
see page 46



Conveying



Conveyor belt FSX

The transport solution
see page 50



Watch the LogFix in
action at:
[www.posch.com/en/
video/LogFix](http://www.posch.com/en/video/LogFix)

LogFix

The cleaning pro separates billets from splinters

Deliver cleaner and, therefore, higher quality logs to your customers! With the log products, you clean your logs in the course of firewood production, thus increasing the quality of the wood and achieving a better price on the market!

For clean logs

Unwanted parts, such as chips, bark and wood splinters, are removed from the logs by rotating rollers. The wood splinters fall through a funnel into a container (e.g. BigBag) or onto an optional conveyor belt.



LogFix 15

The compact model – for up to 15 srm/h.

- **Screen width** 2.5 cm non-adjustable
- **Screen surface** approx. 140x53 cm
- **6 rotating rollers, roller speed** 70 rpm, tilt adjustable 0 – 10° (mounted at 0° as standard)
- **Waste funnel** as standard
- **Cleaning throughput** max. 15 loose m³/h
- **Undercarriage height adjustable**
- The machine can only be fed via a **80 cm wide conveyor belt** (no shovel feed possible)
- **Optional** radio remote control



LogFix 30

Up to 30 srm/h of cleaned firewood.

- **Screen width** 2.5 cm
- **Screen surface** 240x53 cm, **tilt** adjustable 0 – 10° (mounted at 0° as standard)
- **11 rotating rollers**, increasing roller speed (25 rpm to 75 rpm) in conveying direction
- **Standard standstill monitoring system** for screening drums with automated reversal of rotating direction to prevent jams
- **Filling funnel** 260x85 cm as standard
- **Waste funnel** as standard
- The machine can only be fed via a **80 cm wide conveyor belt**
- **Cleaning performance** max. 30 loose m³/h
- **Undercarriage height adjustable**
- **Flange width** 40 cm, matching optional conveyor belt, max, **conveyor belt width 65 cm**
- **Optional** radio remote control
- **Optional** 240x240 cm filling funnel, also suitable for shovel feed from 3 sides (max. 2.5 m³) – not suitable for wood with a billet length of 50 cm!



LogFix 60

High performance – for up to 60 srm/h.

- **Screen width** 3 cm
- **15 rotating rollers**
- **Roller speed** 93 rpm
- **Conveyor belt width** max. 65 cm
- **Cleaning throughput** max. 60 loose m³/h
- Standard **standstill monitoring system** for screening drums with **automated reversal** of rotating direction to prevent jams
- **Screen width** 87 cm
- **Filling chute to bucket feed** 284 cm x 302 cm as standard
- **Radio remote control** as standard
- **Optional** increase of support frame height by 60 cm
- **Tilt adjustable** 5° and 10° (set to 10° at factory)





Watch the chip extraction unit in action at:
www.posch.com/en/cyclone-chip-extraction

Chip extraction unit & Zyklon

There' are always going to be splinters ...

Work becomes easier when one's work station is clean and free from dust. After all, woodchips are more than waste – they can be put to good use at home or at the farm.

For a clean workplace

With the new "cyclone" you create a low-dust working environment: The cyclone filter separates dust and chips from the incoming air and collects them centrally in a controlled manner. Available in different sizes - for circular saws, automatic saws and saw splitters!



Recommended for all log saws, circular saws, automatic firewood saws and smaller firewood processors up to a log diameter of max. 41 cm (e.g. POSCH SpaltFix S-375, S-376, K-415, S-415):

Chip extraction unit 350S Zyklon 350

- **Powerful** HP drive or electric motor
 - **Impeller** made of solid steel
 - **Mobile** thanks to solid rubber wheels ø 30 cm and transport handle
 - **High air flow performance** – up to 1,500 m³/h
 - **Dimensions** 67 × 75 × 107 cm (l × w × h)
 - **2-m suction hose** ø 15 cm and 10-m pressure hose ø 15 cm
 - **Reducing ring** from ø 15 to ø 10 cm for the suction hose
 - **Rotation range** of pressure joint 270° in 10 steps
- The ideal complement to the chip extractor 350
 - Ideal for log saws, automatic firewood saws and firewood processors (SpaltFix firewood processors)
 - For **air volumes of up to 1,500 m³/h**
 - Available in 2 sizes
 - **Optionally** with height adjustable mounting frame incl. container cover (incl. hose guide), with various containers or BigBags / compatible with various log saws, automatic firewood saws and firewood processors

Recommended for large log splitting systems up to a log diameter of max. 70 cm (e.g. SpaltFix K-540, SpaltFix K-650 or rather K-700 Vario, K-660 or rather K-710 a-Vario):

Chip extraction unit 400S Zyklon 400

- **Powerful** E-motor
 - **Impeller** made of solid steel
 - **Mobile** thanks to solid rubber wheels ø 30 cm and transport handle
 - **Exceptional air flow performance** – up to 2,500 m³/h
 - **Dimensions** 83 × 93 × 117 cm (l × w × h)
 - **2-m suction hose** ø 20 cm and 10-m pressure hose ø 20 cm
 - **Reducing ring** from ø 20 to ø 15 cm for the suction hose
 - **Rotation range** of pressure joint 270° in 10° steps
- The ideal complement to the chip extractor 400
 - Ideal for log saws, automatic firewood saws and firewood processors (SpaltFix firewood processors)
 - For **air volumes of up to 3,300 m³/h**
 - Available in 2 sizes
 - **Optionally** with height adjustable mounting frame incl. container cover (incl. hose guide), with various containers or BigBags / compatible with various log saws, automatic firewood saws and firewood processors



Chip extraction unit 350S

Zyklon 350

Chip extraction unit 400S

Zyklon 400



POSCH solutions for improved billet handling
www.posch.com/en/video/PackFix

PackFix

Drying, storing and delivering firewood

The PackFix is available in a stationary or mobile version and enables maximum speed for the packing up of billets.

Maximum bagging speed for more profit

Directly from the conveyor belt, the billets are collected in the drum and wrapped into an air-permeable mesh for optimum drying and storage. The sturdy packs can easily be stacked for space-saving storage. With the **hydraulic swivel table**, filling and bagging is carried out at the same time, the working speed is doubled.



PackFix Hydro

User-friendly and safe, reliable bagging of every solid cubic metre of wood.

- **For billet lengths up to 50 cm**
- **Available in 2 versions:**
Stationary / Mobile
- **Filling drum volume: :**
1.63 m³ = 1.6 loose cubic metres
= 1.0 cubic metres of timber
- **Filling drum:**
Ø 120 cm, height 145 cm
with quick-change system



PackFix Hydro stationary

PackFix Hydro mobile



Reliable PackFix result in a few work steps



The PackFix drum is filled with a cubic metre of billets by means of a conveyor belt.



The rotary arm securely wraps the round bale mesh around the filling drum and the billets.



The drum itself does not rotate and is pulled upwards hydraulically.

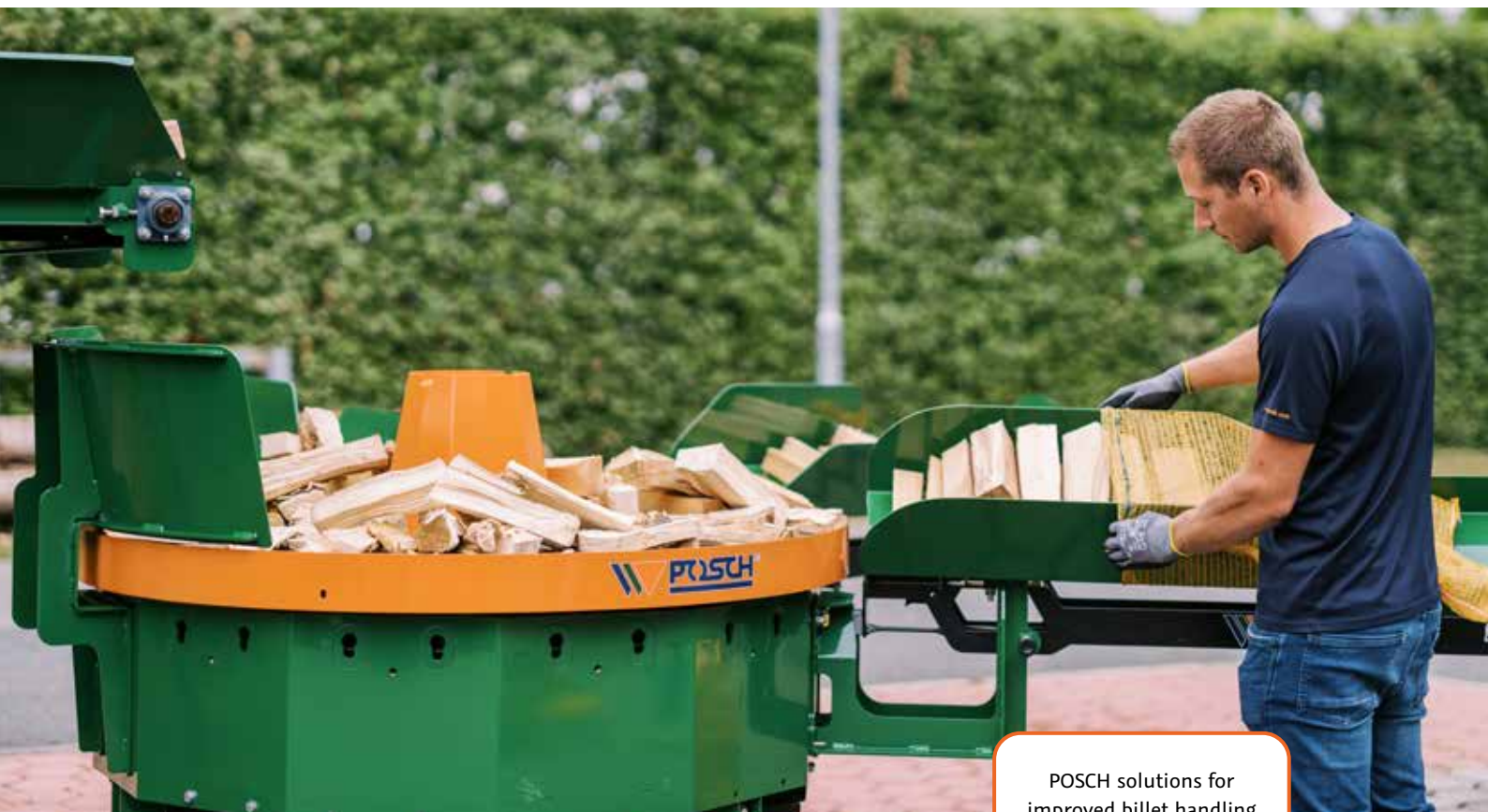


As soon as the filling drum has been pulled up all the way, the mesh is severed and the pack of billets is carted away.

Ideal addition to every production line

The maximum speed per cubic metre provides for the perfect bagging solution for billets up to 50 cm.





POSCH solutions for
improved billet handling
[www.posch.com/
video/LogPack](http://www.posch.com/video/LogPack)

LogPack

Safely and quickly packaging billets

Our new LogPack is an all-round success! Its new, rotating table allows you to pack firewood safely and easily – it only takes a few moments and allows for up to 3 stations.

Looking for a simple solution to pack your fire- wood?

Look no further than the LogPack by Posch! It allows up to 3 operators to work around the rotating table, packing billets into mesh bags or environmentally friendly cardboard boxes in seconds. Optimal in combination with the LogFix 30.



LogPack

400V

Using the LogPack, up to 3 operators can pack firewood and kindling

- **For billets** of a length of up to 50 cm
- **Revolutions** 4 / min.
- **Packaging table** working height adjustable (90 cm – 125 cm), ø 150 cm
- **Friction clutch** stops rotation as needed
- **Transport casters** ø 20 cm (steerable and lockable)
- **For up to 3 operators** / for up to 3 packaging stations
- **Accessories** for cardboard box and mesh packaging



LogPack with 3 mesh bag packaging modules



Safe, ergonomically correct & flexible

The focus is on ease of operation: Your hands are outside of the danger area, avoiding crushing injuries.

The packaging modules are quickly installed, adjustable in working height and position, making your job easier on your back and less tiresome.

Compact and mobile

Thanks to its compact dimensions LogPack barely needs any space during work or storage. For this purpose, the modules can be neatly folded up. LogPack can be moved via its standard transport casters.





POSCH solutions for improved billet handling
www.posch.com/en/conveyor-belts

Conveyor belts

Easier transportation of firewood

The powerful POSCH conveyor belts help you to transport billets faster to their destination. With a length of up to 8 m, they ensure a higher speed and a higher hourly throughput for the complete SpaltFix firewood line.

Get more work done

The **conveyor belt FSX** is especially designed for firewood processors. The wide design passes on a lot of billets to the billet cleaner LogFix, the LogFill intermediate storage or the PackFix system at maximum speed.



Conveyor belts FSX

Select the right conveyor belt.

FSX 4/5 m

- **Ejection height** 1.5 – 3.7 m
- **Belt width** 55 cm
- **Belt construction:**
Bolted individual elements
- **Pneumatic-tyre wheels**
Ø 40 cm
- **Conveyor belt speed** 70 cm/s
- **Belt tilt** mechanically adjustable in steps
- **Belt swivelling** mechanically

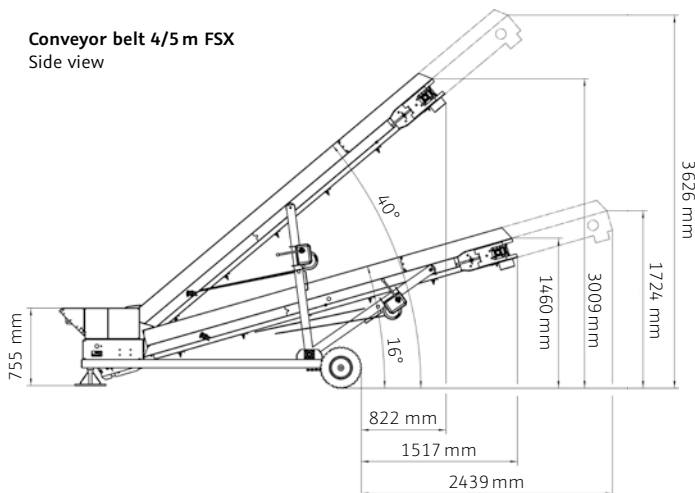
FSX 6/8 m

- **Ejection height** 2.5 – 5.0 m
- **Belt width** 55 cm
- **Belt construction:**
one-part rubber belt
- **Pneumatic-tyre wheels**
Ø 40 cm
- **Conveyor belt speed** 70 cm/s
- **Belt tilt** continuously variable by means of hydraulics
- **Belt swivelling** hydraulically

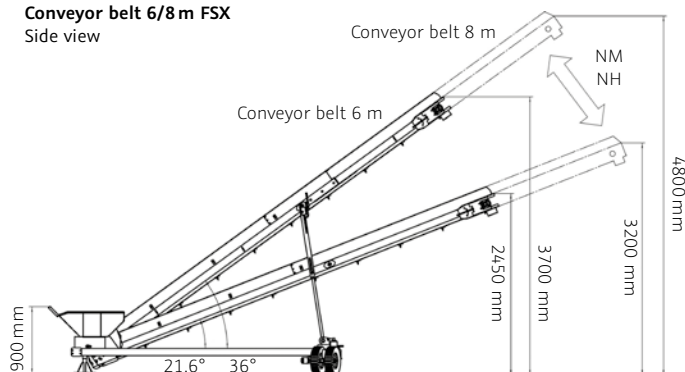


Conveyor belt FSX
6/8 m

Conveyor belt 4/5 m FSX
Side view

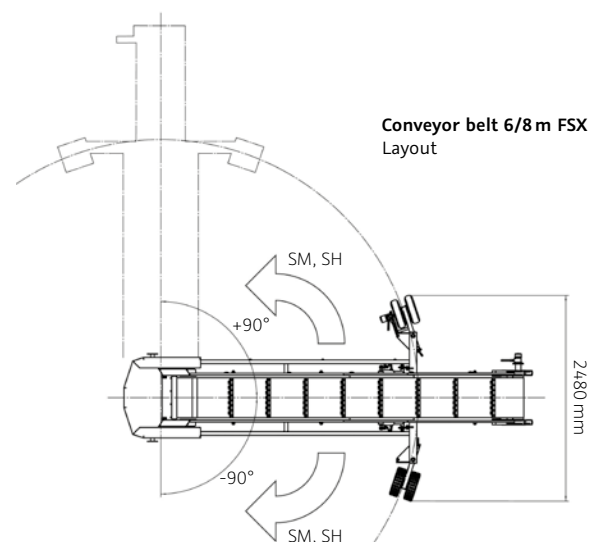


Conveyor belt 6/8 m FSX
Side view



Ideal for loading finished billets

Every conveyor is adjusted to its application quite naturally. All models are swivel-type and height-adjustable. The belt inclination can be mechanically adjusted in steps, or on request also hydraulically without steps.



POSCH is always by your site



POSCH Austria

Headquarters / Production

POSCH Gesellschaft m.b.H.
Paul-Anton-Keller-Straße 40
8430 Leibnitz
Austria

T +43 3452/82954
F +43 3452/82954-53
E export@posch.com
www.posch.com



All the information
about all products:
www.posch.com/en



- Complete product overview
- Comprehensive technical data
- All pictures
- "In Action"-videos

